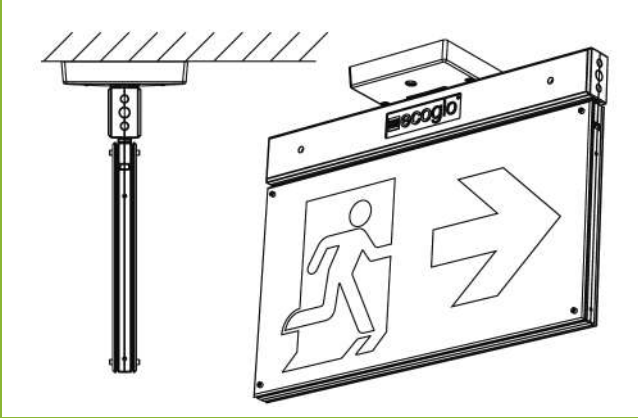
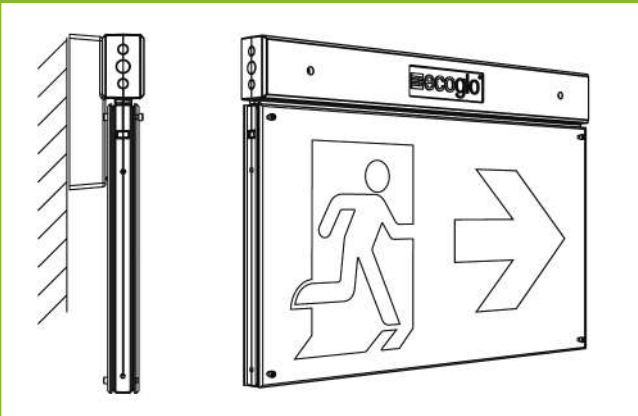


Hybrid Exit Sign

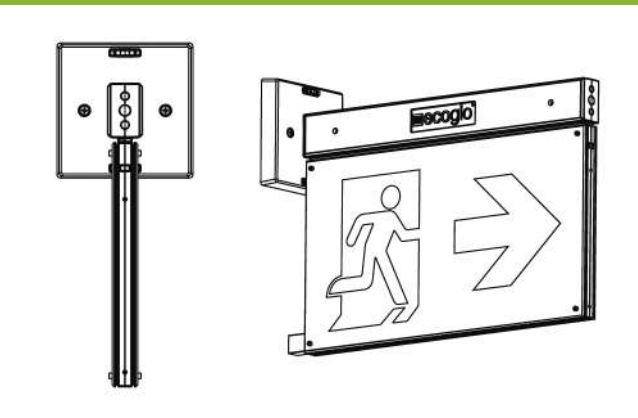
Installation Instructions



Ceiling Mounted Sign [Page 3](#)

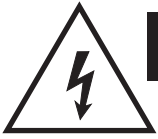


Surface Mounted Sign [Page 7](#)



Flag Mounted Sign [Page 12](#)








 **ecoglo**[®]
VISIBLY BETTER



Important Safeguards

When using electrical equipment, basic safety precautions should always be followed including the following:

READ AND FOLLOW ALL SAFETY INSTRUCTIONS

-  **Disconnect power before performing work on electrical equipment.**
-  **WARNING:** All terminals are unsafe to touch. Circuits connected to any control terminal shall be insulated for the LV supply voltage of the control gear and any terminals connected to the circuit shall be protected against accidental contact.
-  Do not use outdoors.
-  Do not mount near gas or electric heaters.
-  Equipment should be mounted in locations and at heights (outside arm's reach) where it will not be subjected to tampering by unauthorized personnel.
-  The use of accessory equipment is not recommended by Ecoglo as it may pose a safety hazard.
-  Do not use this equipment for any purpose other than its intended use.

SAVE THESE INSTRUCTIONS MAINTENANCE

- To ensure ongoing compliance with NZBC Clause F8, the signs should be inspected monthly, and written records kept. The inspection should confirm that the signs are in the correct location, clearly legible, and illuminated. Signs must be replaced before they become illegible, and replaced immediately should they be missing.
- **CAUTION:** Always turn off AC power before servicing. The servicing of any parts should be performed by qualified service personnel. The use of replacement parts not supplied by Ecoglo may cause equipment failure and will void the warranty.
- **NOTE:** The light source contained in this luminaire shall only be replaced by the manufacturer or his service agent, or a similar qualified person.

Hybrid Exit Sign Specification

Indoor Use Only

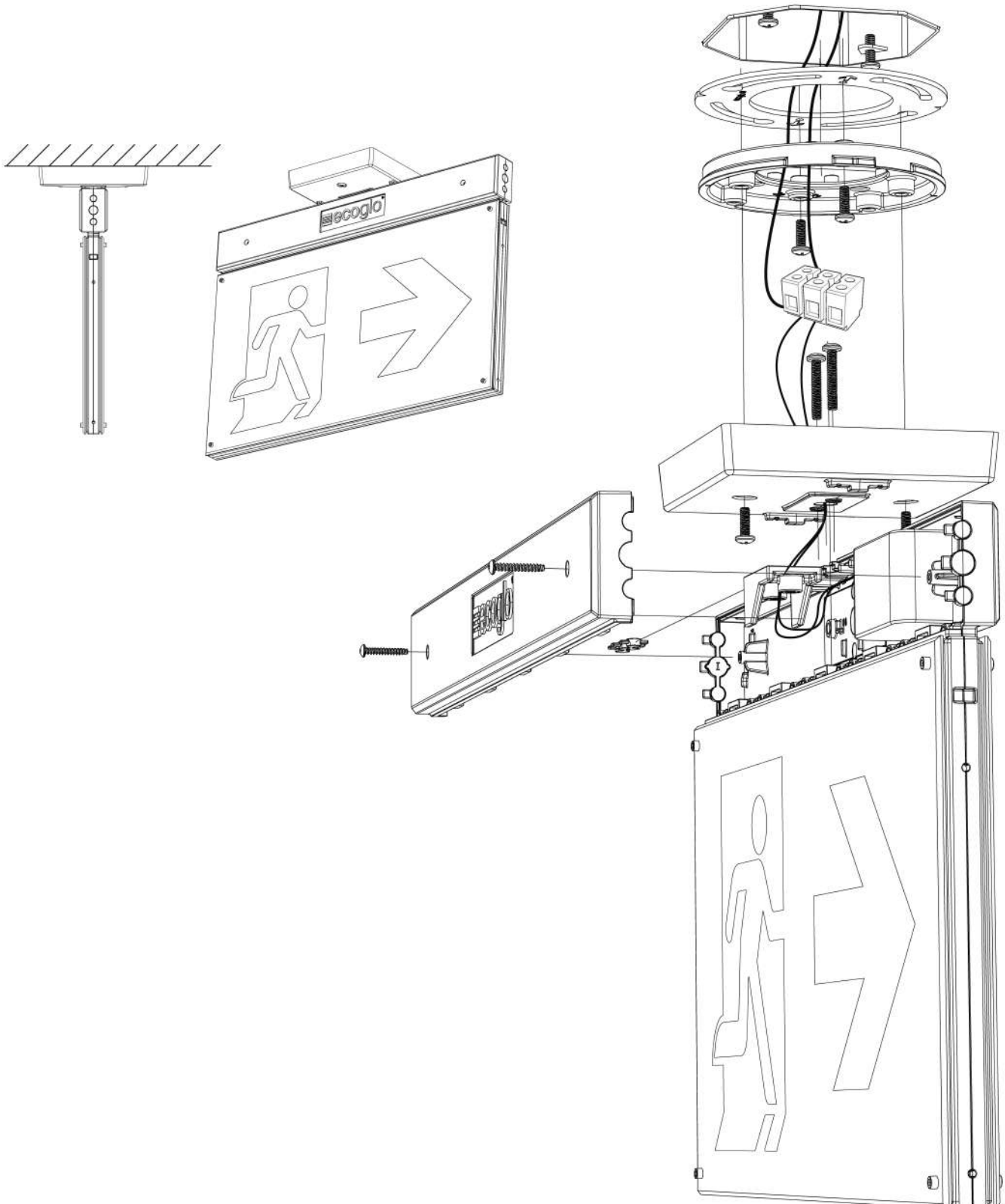
Input: 120/240VAC 50/60Hz
 Current: 0.04/0.02AAC
 Power factor: 1.0
 Rated power consumption: 4W

Maximum ambient temperature (Ta): 40°C
 Maximum case temperature (Tc): 60°C
 Protection: IP40



Ceiling Mounted Sign

Overview



Ceiling Mounted Sign

Step 1 Identify Parts Required for Installation

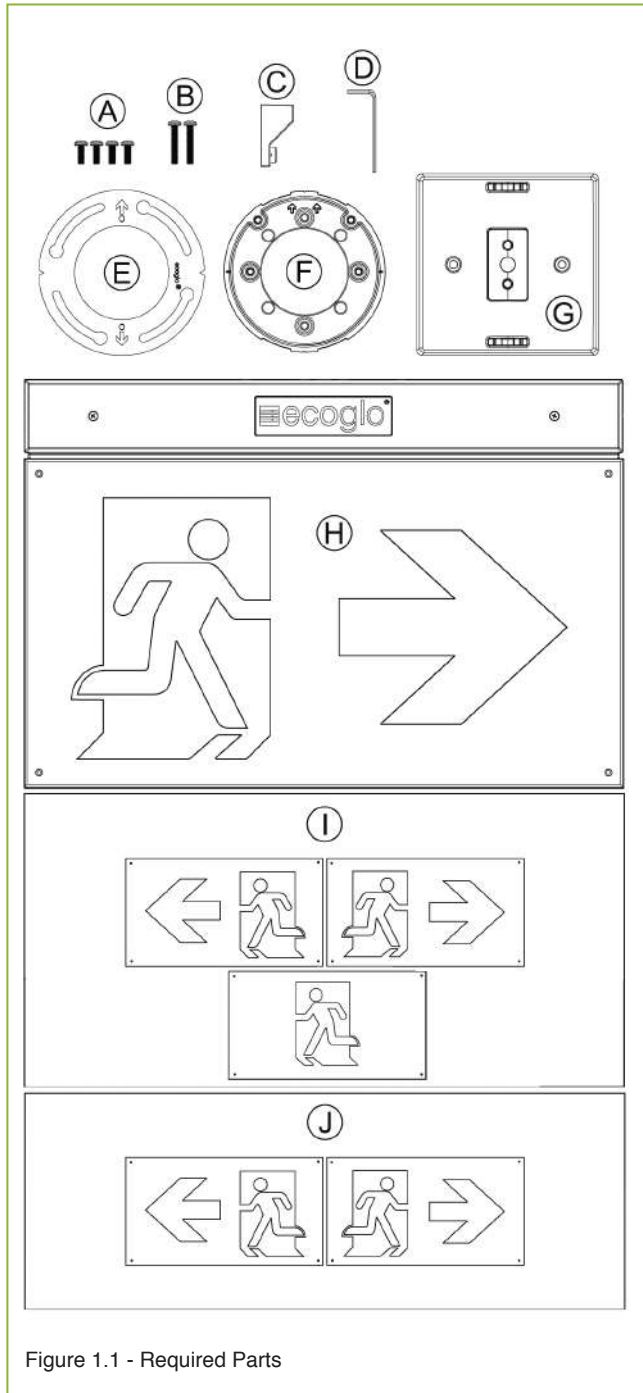


Figure 1.1 - Required Parts

1.1 Required Parts

- Identify parts and set aside from the rest of the parts in the package.

Ref.	Item	Quantity
A	M4 x 12	4
B	M4 x 25	2
C	Internal Bracket	1
D	Allen Key	1
E	Electrical Box Cross Plate	1
F	Turn & Lock™ Plate	1
G	Ceiling Mount Canopy	1
H	Hybrid Exit Sign	1
I	Single Sided Sign: Graphic Inserts	3
J	Double Sided Sign: Graphic Inserts	2

Note: Terminal block shown in overview on p3 is not included.

Step 2 Exit Sign Preparation

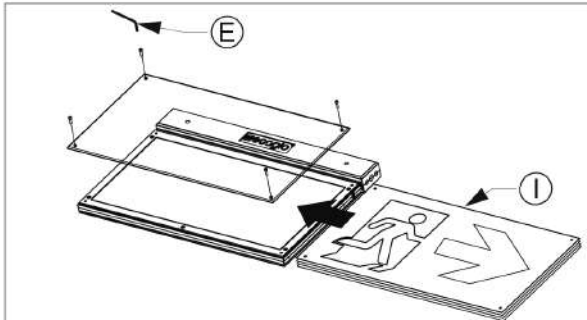


Figure 2.1 - Install Appropriate Graphic Insert

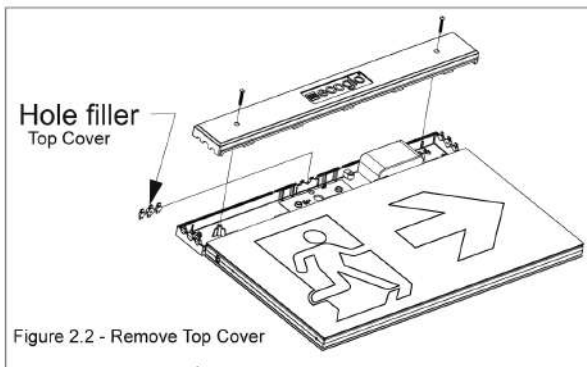


Figure 2.2 - Remove Top Cover

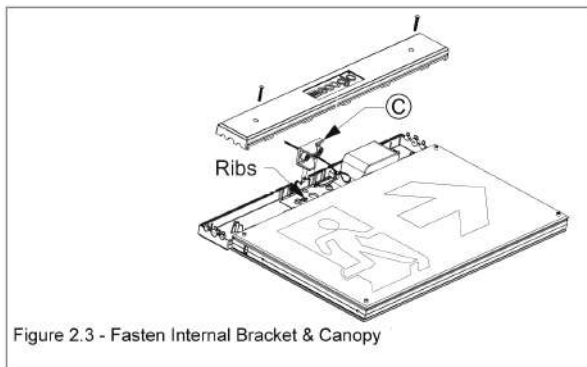


Figure 2.3 - Fasten Internal Bracket & Canopy

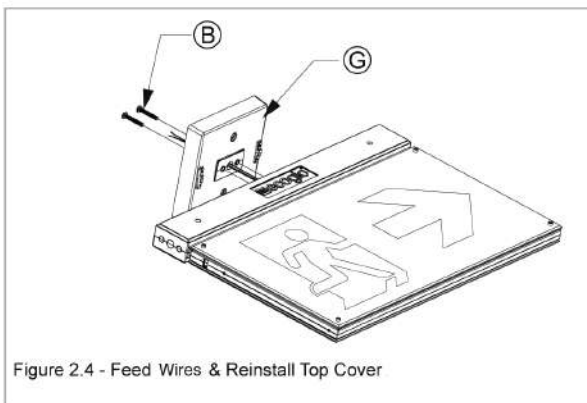


Figure 2.4 - Feed Wires & Reinstall Top Cover

2.1 Ensure Correct Graphic Insert for Location

- If required, replace direction image.
- Remove corner screws with supplied Allen key (E).
- Remove existing graphic insert and replace with the required optional one (I).
- Replace screws.

2.2 Remove Top Cover

- Remove top cover of sign and put aside.
- Remove hole filler to expose upper holes in compartment.

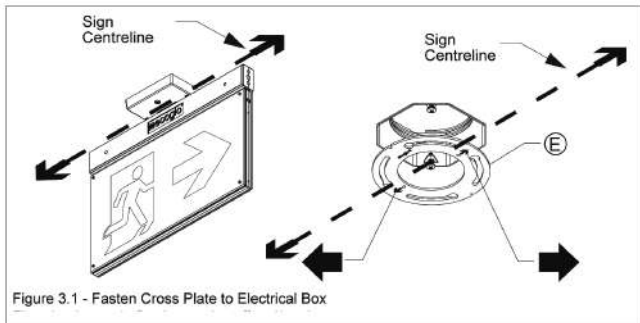
2.3 Position Internal Bracket & Replace Top Cover

- Position the internal bracket (C) between the locating ribs at the inside top of the sign.
- Feed electrical wires through the hole in the centre of internal bracket (C).
- Replace the top cover and install screws.

2.4 Attach Canopy

- Feed the electrical wires through the centre of the canopy (G).
- Fasten canopy (G) to the sign using screws (B).

Step 3 Electrical Box Preparation



N.B. Arrows on Cross Plate determine the direction of the sign

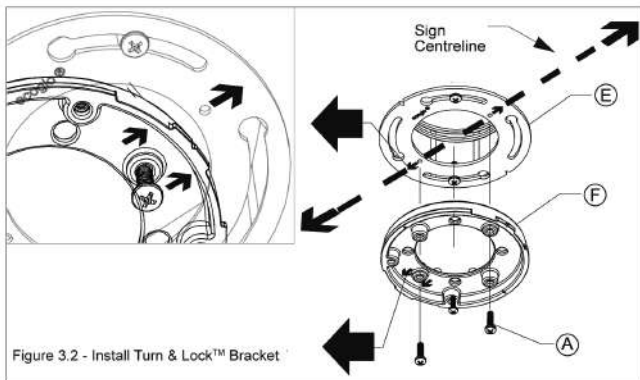
3.1 Install Cross Plate

- Fasten cross plate (E) to electrical box.

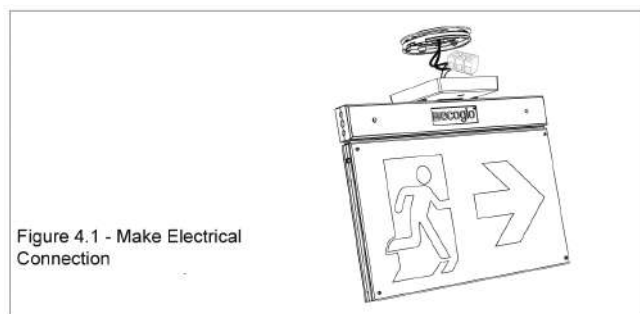
3.2 Install Turn & Lock™ Plate

- Fasten Turn & Lock™ Plate (F) to cross plate (E) using two screws (A).

Note: double arrows line up with arrow on cross plate (E).



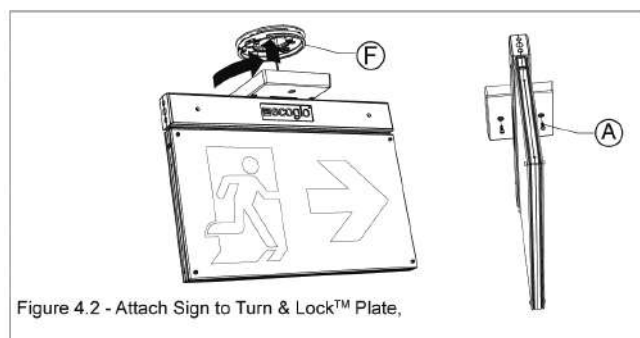
Step 4 Complete Installation



4.1 Make Electrical Connection

- Connect to the lighting circuit which supplies general lighting to the area concerned.
- Label the relevant circuit breaker: 'Emergency Exit Sign Supply - do not isolate'.

Note: Terminal block shown in Figure 4.1 is not included.



4.2 Attach Sign to Turn & Lock™ Plate

- Push sign onto Turn & Lock™ plate (F) at an angle and rotate to feel click.

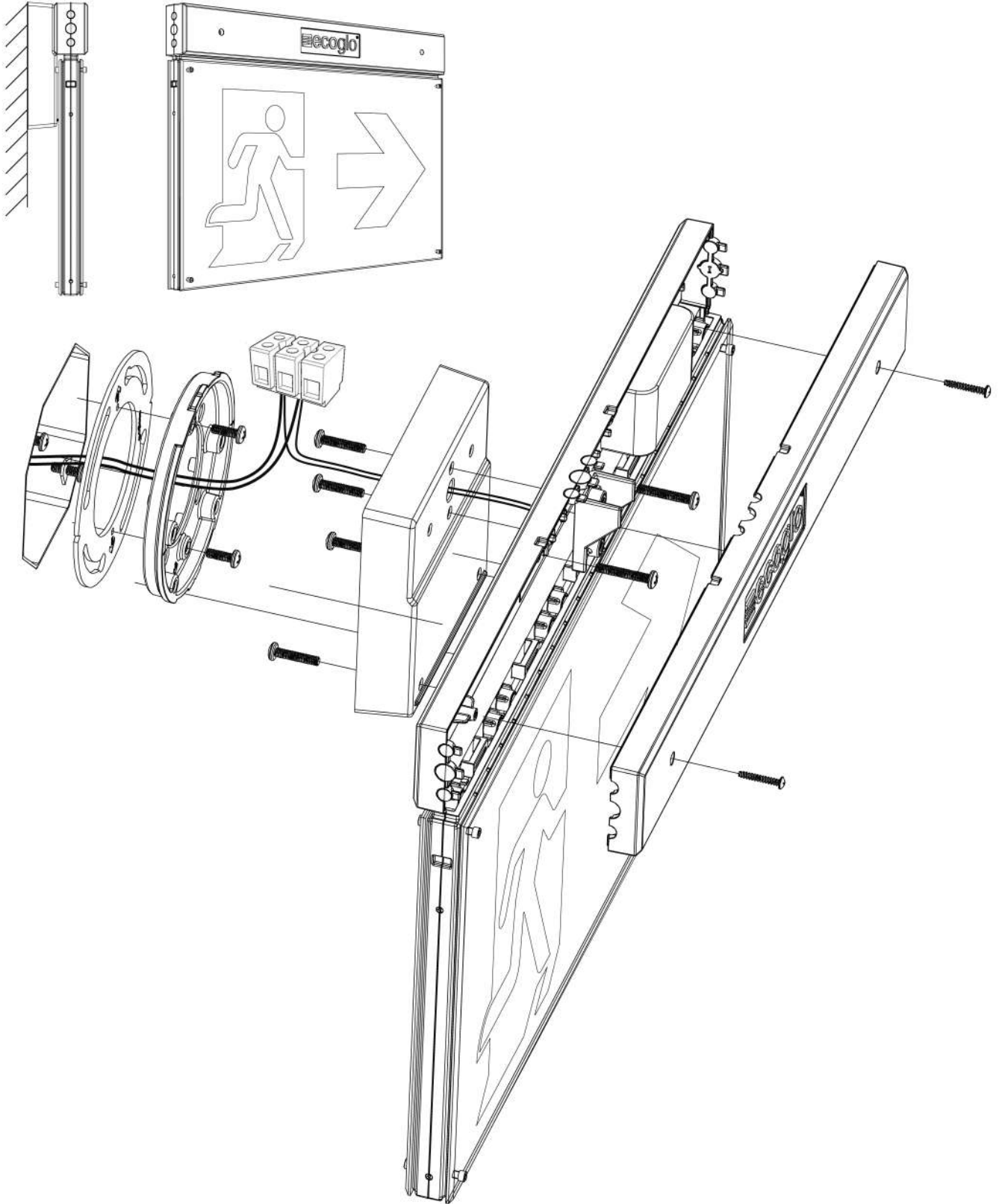
4.2 Secure Sign to Turn & Lock™ Plate

- Install two mounting screws (A).
- Test sign.

Note: Sign to be installed outside arm's reach.

Surface Mounted Sign

Overview



Step 1 Identify Parts Required for Installation

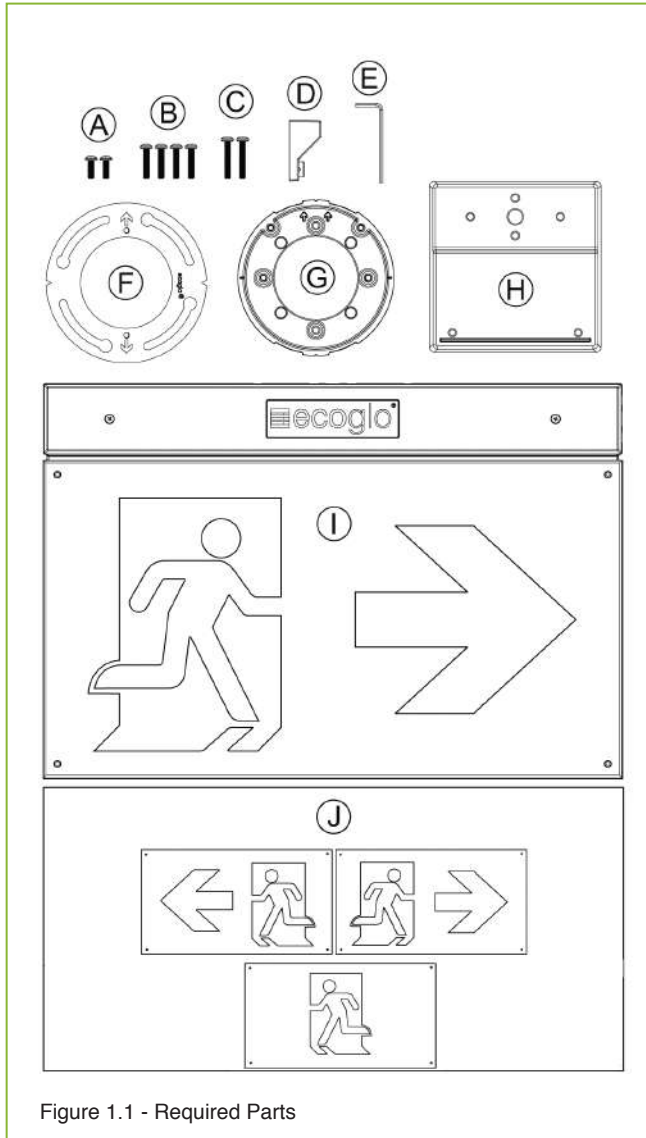


Figure 1.1 - Required Parts

1.1 Required Parts

- Identify parts and set aside from the rest of the parts in the package.

Ref.	Item	Quantity
A	M4 x 12	2
B	M4 x 20	4
C	M4 x 25	2
D	Internal Bracket	1
E	Allen Key	1
F	Electrical Box Cross Plate	1
G	Turn & Lock™ Plate	1
H	Surface Mount Canopy	1
I	Hybrid Exit Sign	1
J	Single Sided Sign: Graphic Inserts	3

Note: Terminal block shown in overview on p7 is not included.

Step 2 *Exit Sign Preparation*

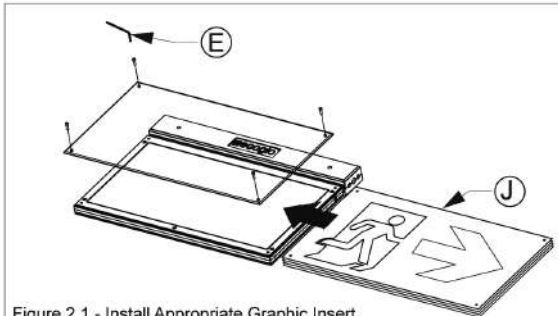


Figure 2.1 - Install Appropriate Graphic Insert

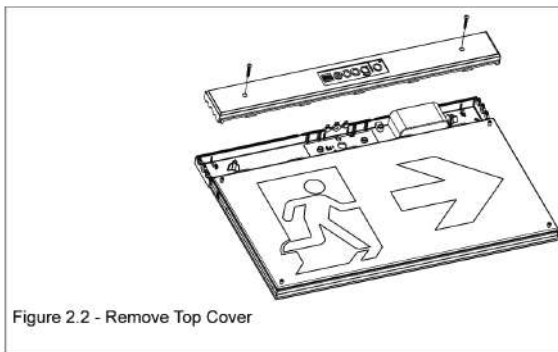


Figure 2.2 - Remove Top Cover

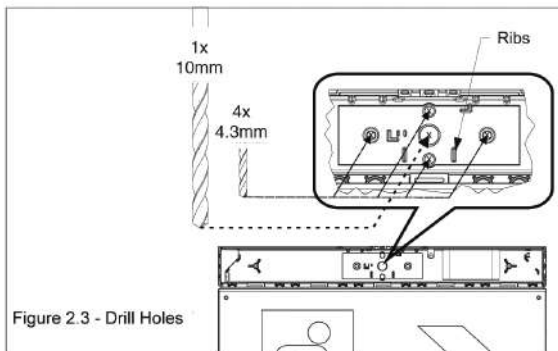


Figure 2.3 - Drill Holes

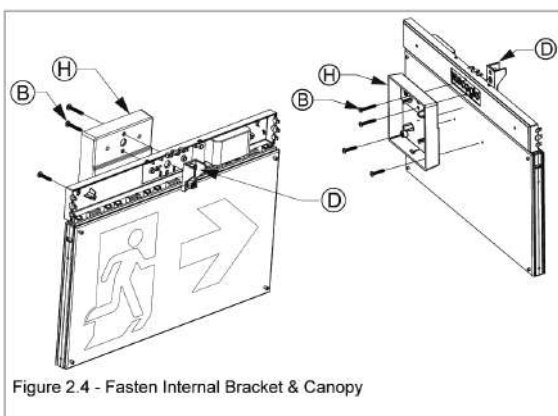


Figure 2.4 - Fasten Internal Bracket & Canopy

2.1 Ensure Correct Graphic Insert for Location

- If required, replace direction image.
- Remove corner screws with supplied Allen key (E).
- Remove existing graphic insert and replace with the required optional one (J).
- Replace screws.

2.2 Remove Top Cover

- Remove top cover of sign and put aside.

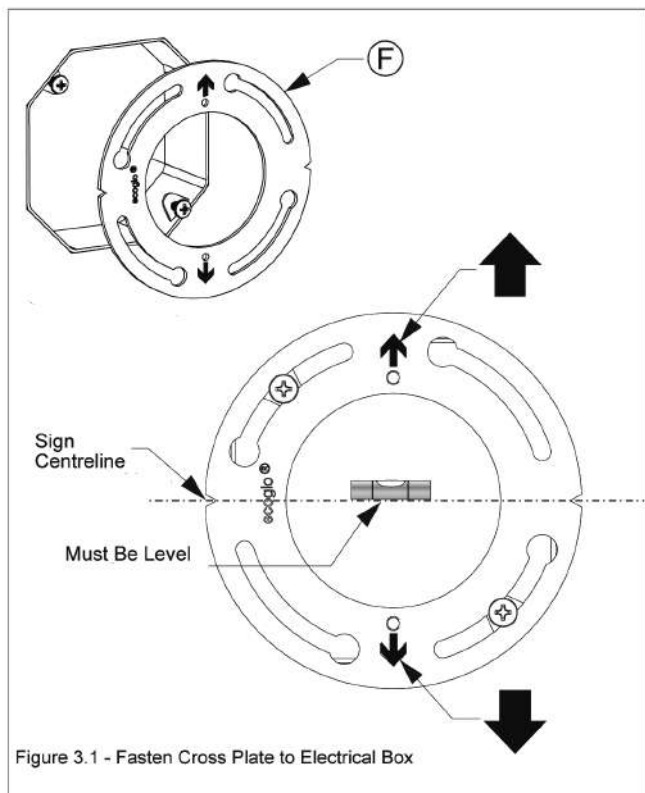
2.3 Drill Holes

- Locate hole pattern in back surface of wiring compartment.
- Drill out 5 holes as shown, 4 x 4.3mm and 1 x 10mm.

2.4 Fasten Internal Bracket & Canopy

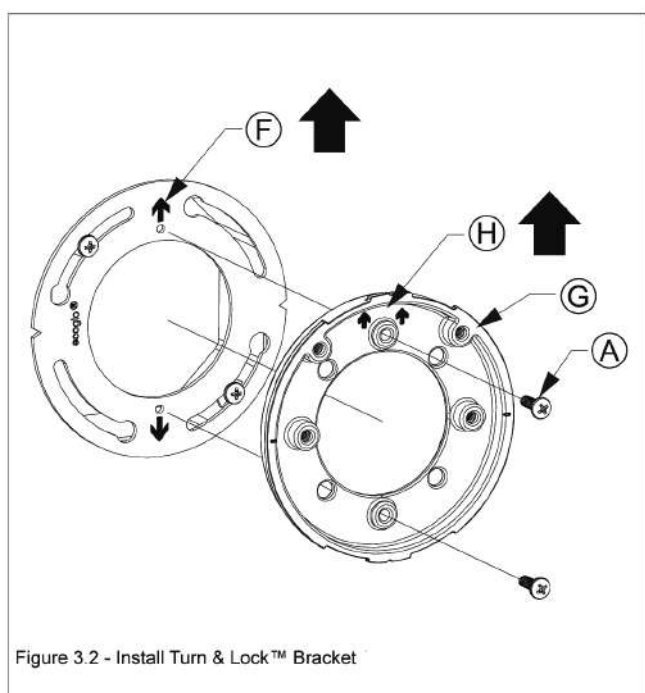
- Position internal bracket between locating ribs on the inside of wiring compartment.
- Position the canopy (H) on rear of sign.
- Install four screws (B) through inside of canopy into internal bracket (D) and the holes in acrylic rear panel.

Step 3 *Electrical Box Preparation*



3.1 Install Cross Plate

- Fasten cross plate (F) to electrical box.
Note: arrows on cross plate point straight up and down.
- Notches can be used as a reference to level cross plate before tightening to electrical box.



3.2 Install Turn & Lock™ Plate

- Fasten Turn & Lock™ plate (G) to cross plate (F) using two screws (A).
Note: double arrows (H) line up with arrow on cross plate (F).

Step 4 Complete Installation

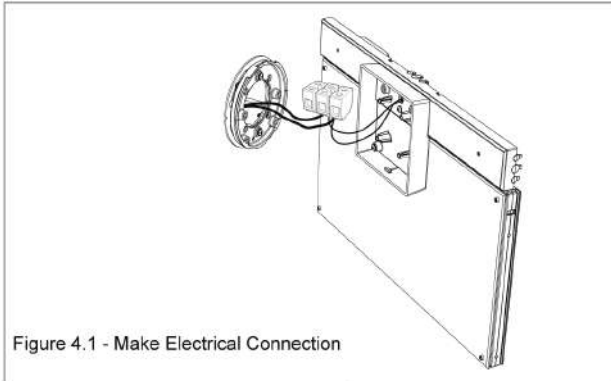


Figure 4.1 - Make Electrical Connection

4.1 Make Electrical Connection

- Feed wires through back of sign and connect to the lighting circuit which supplies general lighting to the area concerned.
- Label the relevant circuit breaker: 'Emergency Exit Sign Supply - do not isolate'.

Note: Terminal block shown in Figure 4.1 is not included.

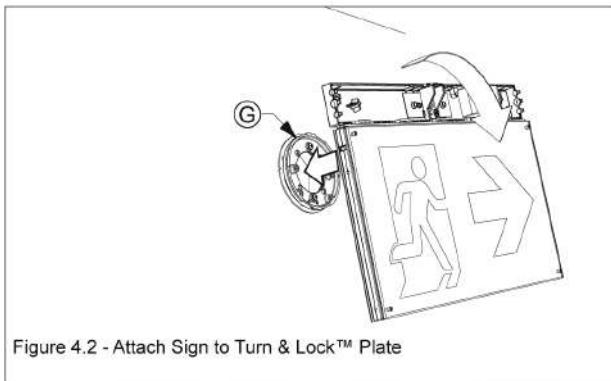


Figure 4.2 - Attach Sign to Turn & Lock™ Plate

4.2 Attach Sign to Turn & Lock™ Plate

- Push sign onto Turn & Lock™ plate (G) on an angle and rotate to horizontal to feel click.

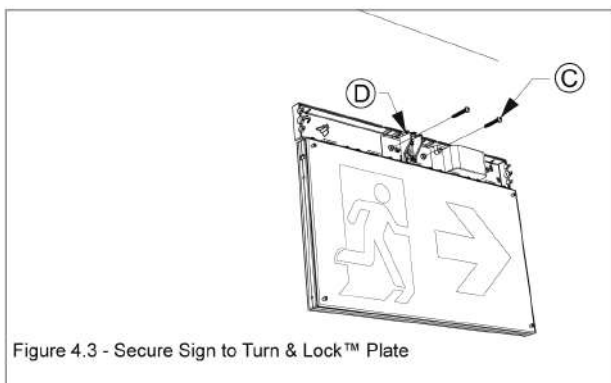


Figure 4.3 - Secure Sign to Turn & Lock™ Plate

4.3 Secure Sign to Turn & Lock™ Plate

- Install two mounting screws (C) on either side of internal bracket (D).

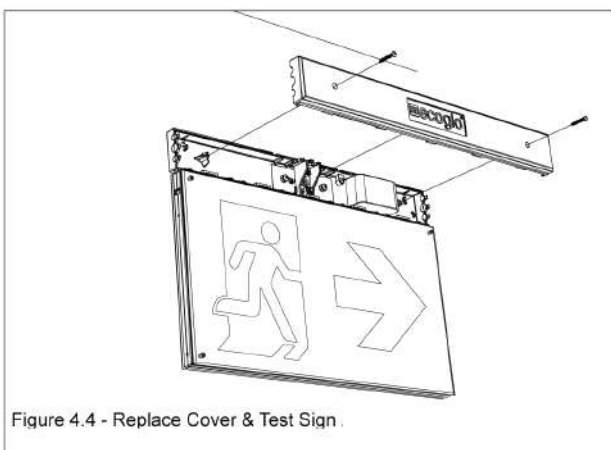


Figure 4.4 - Replace Cover & Test Sign.

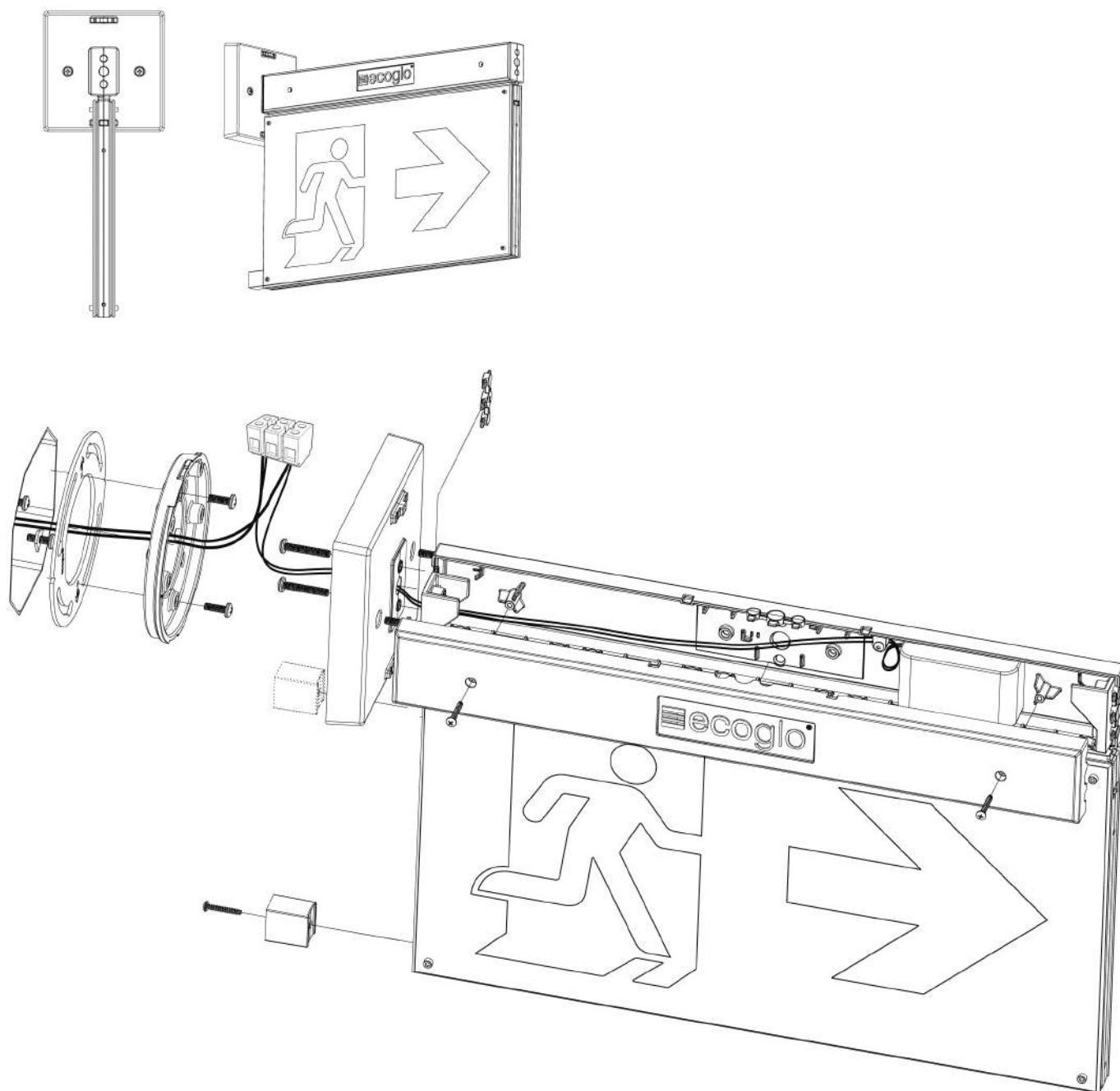
4.4 Replace Cover & Test Sign

- Install wiring compartment cover, install screws.
- Test sign.

Note: Sign to be installed outside arm's reach.

Flag Mounted Sign

Overview



Flag Mounted Sign

Step 1 Identify Parts Required for Installation

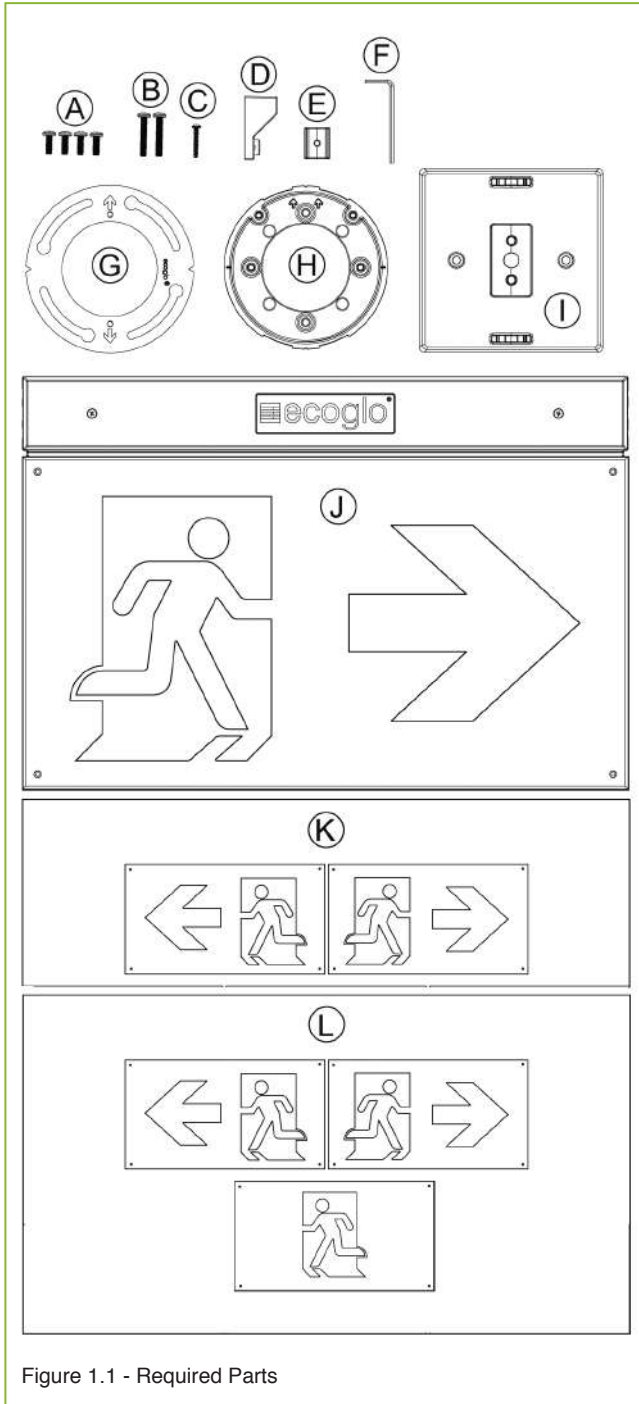


Figure 1.1 - Required Parts

1.1 Required Parts

- Identify parts and set aside from the rest of the parts in the package.

Ref.	Item	Quantity
A	M4 x 12	4
B	M4 x 25	2
C	Self-tapping M3 x 20	1
D	Internal Bracket	1
E	Standoff	1
F	Allen Key	1
G	Electrical Box Cross Plate	1
H	Turn & Lock™ Plate	1
I	Flag Mount Canopy	1
J	Hybrid Exit Sign	1
K	Double Sided Sign: Graphic Inserts	2
L	Single Sided Sign: Graphic Inserts	3

Note: Terminal block shown in overview on p12 is not included.

Step 2 Exit Sign Preparation

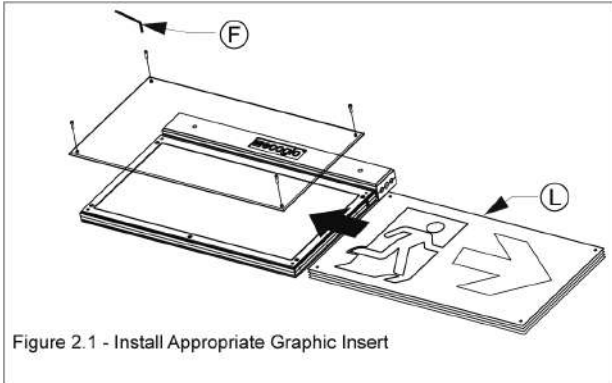


Figure 2.1 - Install Appropriate Graphic Insert

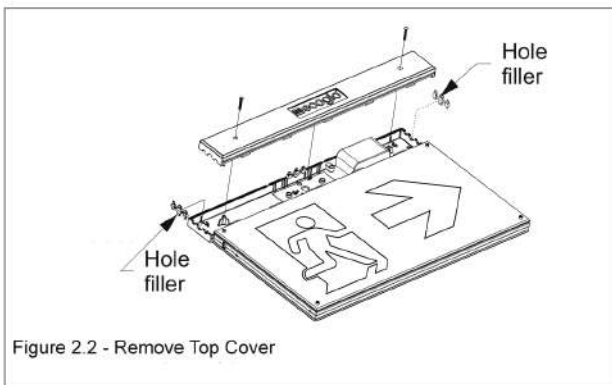


Figure 2.2 - Remove Top Cover

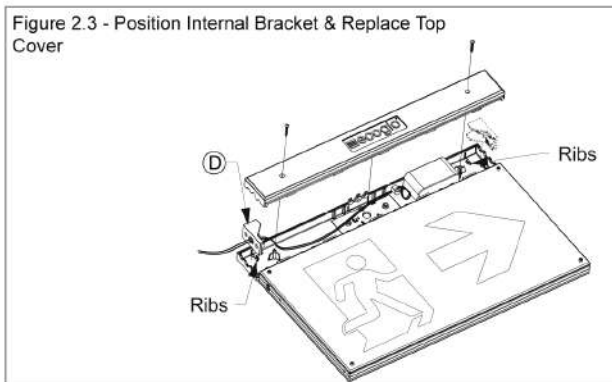


Figure 2.3 - Position Internal Bracket & Replace Top Cover

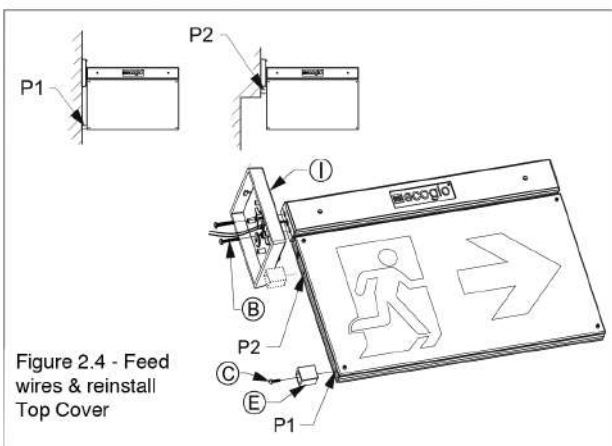


Figure 2.4 - Feed wires & reinstall Top Cover

2.1 Ensure Correct Graphic Insert for Location

- If required, replace direction image.
- Remove corner screws with supplied Allen key (F).
- Remove existing graphic insert and replace with the required optional one (L).
- Replace screws.

2.2 Remove Top Cover

- Remove top cover of sign and put aside.
- Remove either left or right hole filler as required for application in order to expose holes at end of compartment.

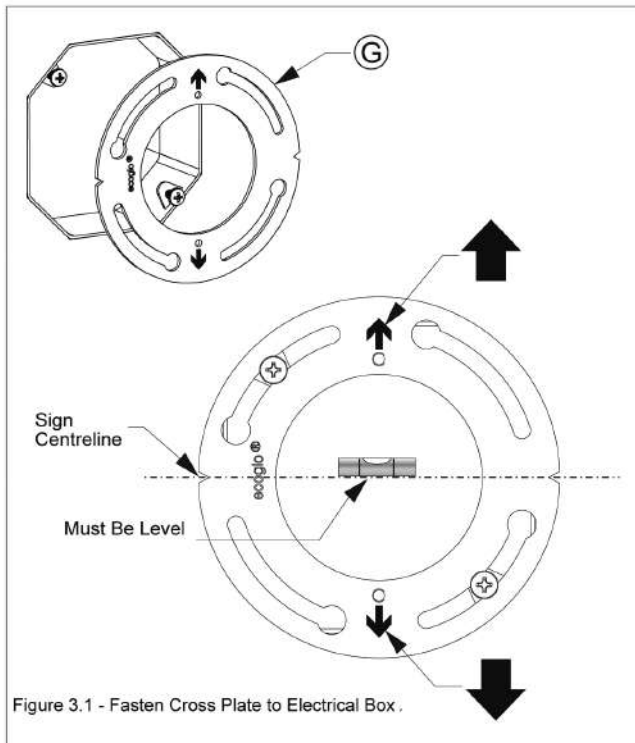
2.3 Position Internal Bracket & Replace Top Cover

- Position the Internal Bracket (D) between the locating ribs at the inside end of the sign.
- Feed electrical wires through the hole in the centre of Internal Bracket (D).
- Replace the Top Cover and install screws.

2.4 Attach Canopy and Standoff

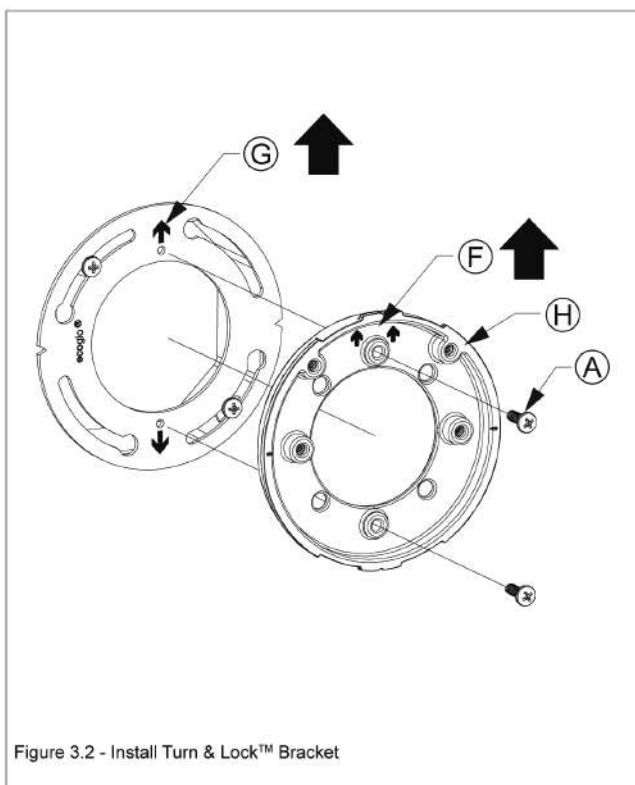
- Feed the electrical wires through the centre of the canopy (I).
- Fasten canopy (I) to the sign using screws (B).
- Fasten standoff (E) to sign at position P1 or position P2 using screw (C).

Step 3 *Electrical Box Preparation*



3.1 Install Cross Plate

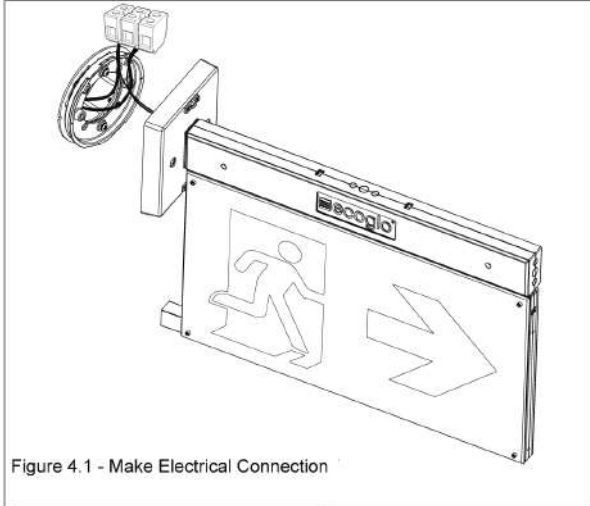
- Fasten cross plate (G) to electrical box.
Note: arrows on cross plate point straight up and down.
- Notches can be used as a reference to level cross plate before tightening to electrical box.



3.2 Install Turn & Lock™ Plate

- Fasten Turn & Lock™ plate (H) to cross plate (G) using two screws (A).
Note: double arrows (F) line up with arrow on cross plate (G).

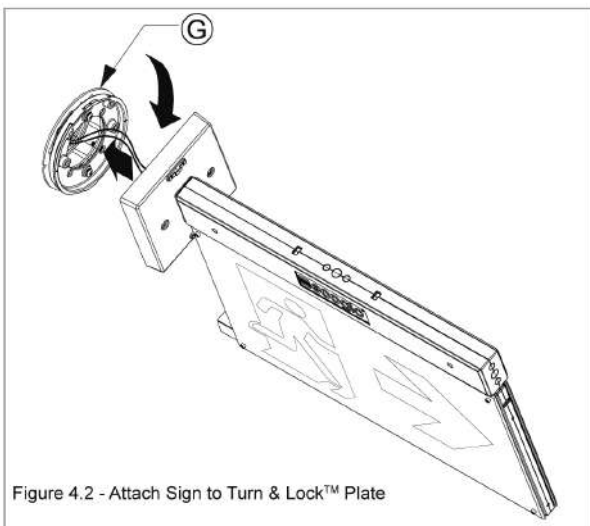
Step 4 Complete Installation



4.1 Make Electrical Connection

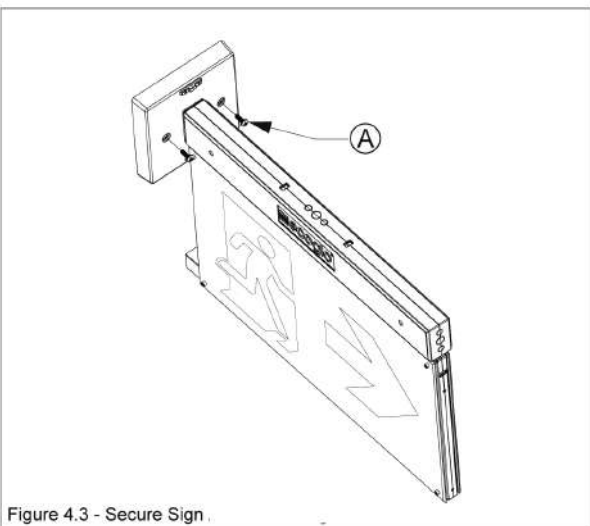
- Connect to the lighting circuit which supplies general lighting to the area concerned.
- Label the relevant circuit breaker: 'Emergency Exit Sign Supply - do not isolate'.

Note: Terminal block shown in Figure 4.1 is not included.



4.2 Attach Sign to Turn & Lock™ Plate

- Push sign onto Turn & Lock™ plate (G) at an angle and rotate to feel click.



4.3 Secure Sign to Turn & Lock™ Plate

- Install two mounting screws (A).
- Test sign

Note: Sign to be installed outside arm's reach.


VISIBLY BETTER

Ecoglo International Limited
77 Kingsley St, Christchurch,
Phone: +64 3 348 3781,
Email: info@ecoglo.com
www.ecoglo.co.nz